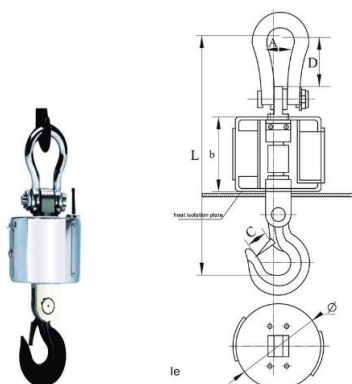


Wireless crane scale



- Impact resistant all steel construction for RFI protection
- Patented LN high precision crane scale load cell
- Optional operation temperature normal (-15°C~55°C), or thermal (~80°C) environment
- 6V/4Ah Ni-H rechargeable battery for the scale

Type	1T	2T	3T	5T	10T	15T	20T	30T	40T	50T
Division (kg)	0.5	1	1	2	5	5	10	10	20	20
A	76	76	75	75	106	150	150	150	214	214
B	105	105	140	195	195	220	220	220	300	300
C	34	34	40	56	70	86	86	103	105	105
D	95	95	95	92	117	118	118	172	274	274
L	460	460	500	620	712	897	897	1050	1263	1263
Ø	190	190	240	270	270	295	295	320	375	375